

PROJECT

**Coom Green Energy Park
33kV Interconnection**

CLIENT

**Coom Green Energy
Park Limited**

CONSULTANTS



NOTES: -
• See notes in drawing window

LEGEND: -

- 125mm Ø HDPE POWER DUCT WITH 12mm DIAMETER PULL ROPE
- 110mm Ø HDPE COMMS DUCT WITH 12mm DIAMETER PULL ROPE
- 110mm Ø HDPE EARTH DUCT WITH 12mm DIAMETER PULL ROPE
- EXISTING SERVICES MARKER TAPE
- YELLOW MARKER WARNING TAPE

ISSUE/REVISION

NO	DATE	DESCRIPTION
P1	13.03.26	Issued for Planning
N1	25.07.25	Issued for Information
I/R	DATE	DESCRIPTION

PROJECT NUMBER

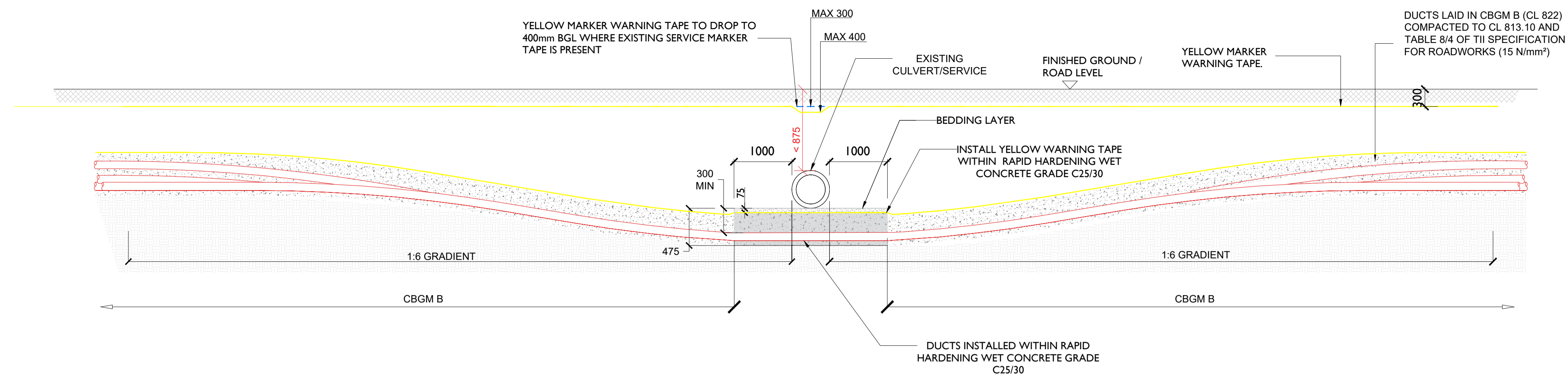
300-100920

SHEET TITLE

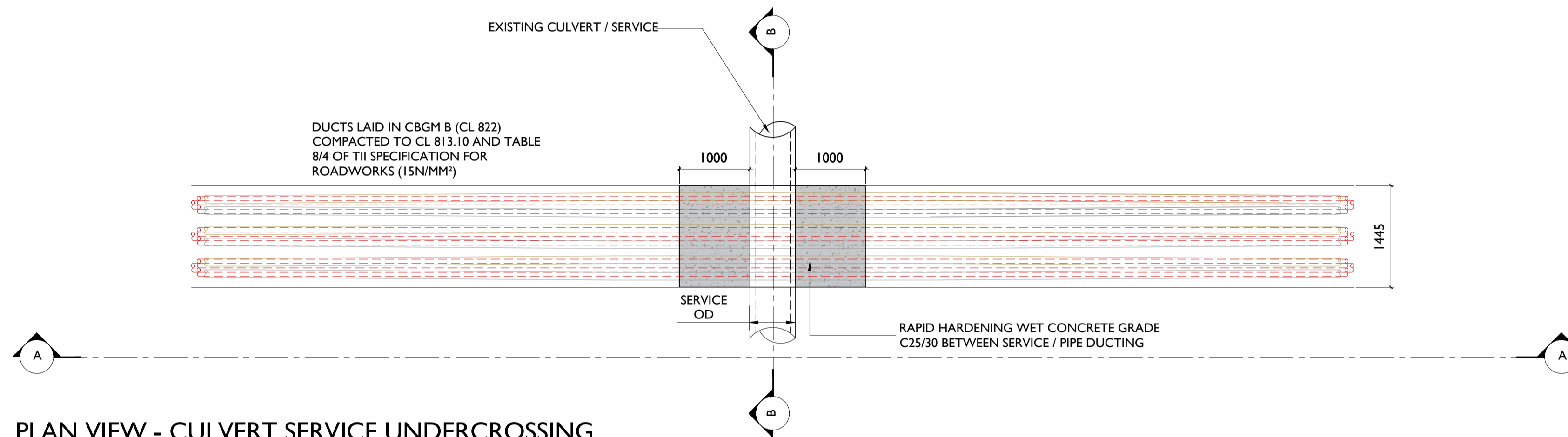
Triple Circuit Service/Culvert
Under Crossing Detail

SHEET NUMBER

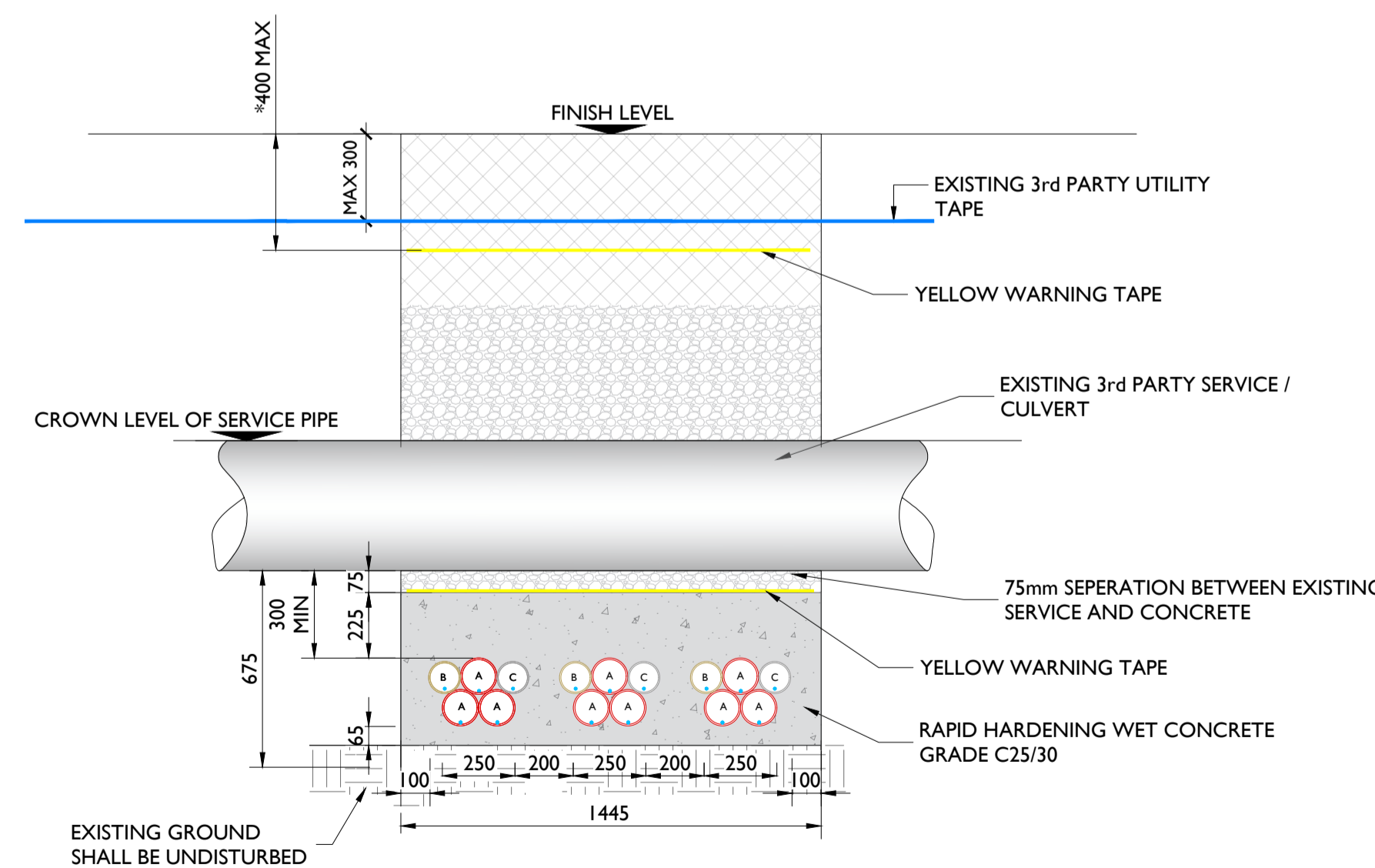
300100920-DR-135



SECTION A-A
SCALE: 1:50



PLAN VIEW - CULVERT SERVICE UNDERCROSSING
SCALE: 1:50



SECTION B-B
SCALE: 1:20

A = 125mm: OUTER DIAMETER HDPE APPROVED DUCT, (POWER)
B = 110mm: OUTER DIAMETER HDPE APPROVED DUCT, (COMM)
C = 110mm: ECC (EARTH CONTINUITY CONDUCTOR) DUCT.

- NOTES:
- THIS DRAWING IS TO BE USED ONLY FOR THE PURPOSE OF ISSUE AND IS SUBJECT TO AMENDMENT.
 - THIS DRAWING IS TO BE READ IN CONJUNCTION WITH ALL OTHER RELEVANT INFORMATION AND DOCUMENTATION.
 - DO NOT SCALE FROM THIS DRAWING, USE ONLY PRINTED DIMENSIONS.
 - ALL DIMENSIONS ARE IN MILLIMETRES. ALL CHAINAGES, LEVELS AND COORDINATES ARE IN METRES UNLESS DEFINED OTHERWISE.
 - NO EXCAVATION SHALL COMMENCE UNTIL THE CONTRACTOR HAS CONSULTED UP TO DATE SERVICES DRAWINGS AND CARRIED OUT AN ELECTROMAGNETIC LOCATOR (EML) SCAN.
 - HAND DIG ONLY WITHIN 500mm OF EXISTING SERVICES.
 - IF COMPACTING CBGM B COULD CAUSE DAMAGE TO THE CULVERT / SERVICE BELOW, USE RAPID HARDENING CEMENT GRADE C25 / 30 FOLLOWING ENGINEERS PRIOR APPROVAL.
 - FOR STANDARD TRENCH CROSS SECTION DRAWINGS SEE 300100920-DR-110.
 - WHERE DEPTHS EXCEED 3000mm TO THE TOP OF THE DUCT THE CONTRACTOR SHALL CONSULT THE CABLE SYSTEM DESIGN ENGINEER.
 - BACKFILL AS PER GUIDELINES FOR THE OPENING, BACKFILLING AND REINSTATEMENT OF OPENINGS IN THE PUBLIC ROADS.
 - THE PROPOSED DESIGN IS SUBJECT TO APPROVAL AND SHOULD NOT BE USED FOR CONSTRUCTION.
 - PREFERENCE IS TO CROSS UNDER ALL SERVICES WHERE IT IS NOT POSSIBLE TO MAINTAIN STANDARD COVER WHEN CROSSING OVER THE SERVICE.
 - THE CONTRACTOR IS RESPONSIBLE FOR THE DESIGN AND CONSTRUCTION OF ALL TEMPORARY WORKS REQUIRED. THE CONTRACTOR WILL APPOINT AN APPROVED TEMPORARY WORKS DESIGNER AND SUBMIT PROPOSED TEMPORARY WORKS DESIGNS TO THE PSDP.